

FRX Fire Rated Wood Frame System

Introduction



FRX Double Rabbet Frame - Cross Section View

The FRX series of fire-rated composite wood door frames (FRX20, FRX45, FRX60 & FRX90) from Warm Springs Composite Products allows architects and contractors to comply with the strictest of fire ratings without compromising the aesthetic appeal of natural wood finishes. The frames' unique design allows them to achieve fire ratings with both neutral and positive pressure testing. The FRX Frame system meets US Certification provided by Intertek Testing Service, for UBC 7-2, UL10©, and UL10(b).

Our system is designed with flexibility in mind. Ordering options are varied to meet the needs and desires of different customer types. All options can be used with either our patented adjustable clip installation system or the traditional shim method of installation. Instructions for both options are available.



4 Flexible Availability Options



Inventory Frame Base Component:

For OEMs and Millwork facilities looking for the minimum base component needed to build any variation of frame widths and styles. This front 80mm section (3.125") comes with intumescent pre-installed (front & back) and allows the OEMs to use standard wood based products to build out the finished product.

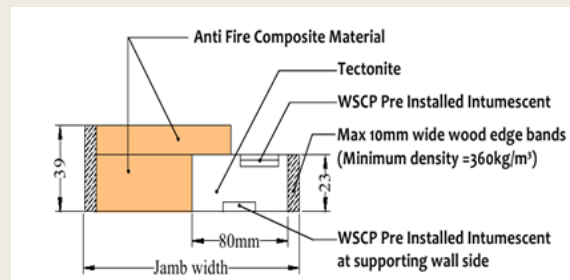
WARM SPRINGS COMPOSITE PRODUCTS

Ready to Edgeband (RTE):

- For OEMs and Millwork facilities that want the flexibility to slightly adjust for frame with and have the ability to glue edge banding and veneers to fire-rated substrate. Requires customer application of edge-bands and surface material, as well as machining for hardware and finishing.

Ready to Laminate (RTL)

- For OEMs or millwork facilities that have Intertek labeling capabilities and the ability to trim and apply veneer to edge banded substrate. Requires customer application of surface material and machining for hardware.



Ready to Finish (RTF)

- For distributors or millwork facilities. Frame comes with surface material applied with almost any veneer species or a phenolic paper which is great for accepting paint and is ready to be machined for hardware and finished.



Additional Details

More in-depth information regarding the WSCP FRX Frame System as well as the complimenting WSCP Fire Door Components (Mineral Core, Tectonite Stiles & Rails, and Banded Door Cores) and construction detail are outlined in our Technical Manual that you can download here [2017 WSCP UL10© Technical Manual](#).

Please see our [Jamb Application Table](#) for a more detailed scope that we offer.

Each frame has the option to be installed utilizing our patented clip installation method or via the traditional use of shims. The clip system was designed with input from installers in order to save both time and money in the field.

For a closer look at how the clip system works please see the [FRX Frame Install Video](#) which can also be found on our website. A basic CAD drawing can be seen below to illustrate how the clip(s) and frame mount to the wall system.

WARM SPRINGS COMPOSITE PRODUCTS

Rectangular Snip

Warm Springs Composite Products Door Frame System

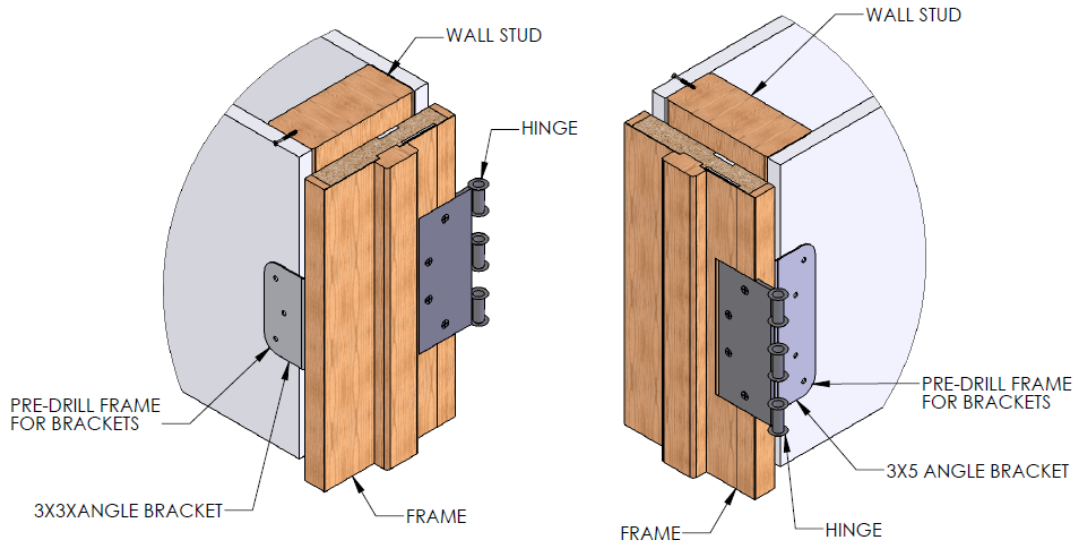


FIG 4

Contacting Us

Warm Springs Composite Products
3270 US Hwy. 26, Bldg. #8
Warm Springs, Oregon USA

Tel. +1 541-553-1143
Fax +1 541-553-1145
contact@wscp.com



Intertek